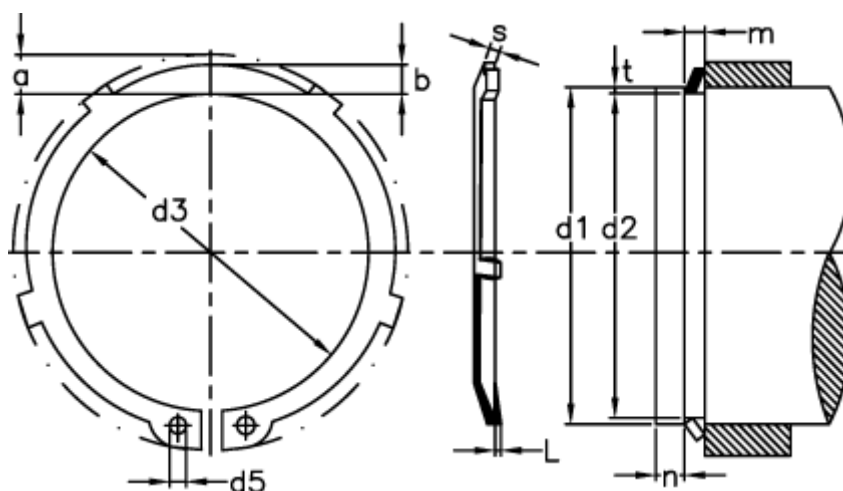


Article number: 0120047

Description: Retaining ring AL 30X1,5  
Spring steel

## Measures



a max	= 4.7	FL max kN	= 0.90	s	= 1.50
b	= 3.4	FN kN	= 10.70	tol	= -0.21
C kN/mm	= 2.97	FRg kN	= 7.65	tol	= +0,21 -0,42
d1	= 30	FR kN	= 32.1	u	= 0.10
d2	= 28.6	g	= 2.0		
d3	= 27.9	L min	= 0.40		
d5 min	= 2.0	m min	= 1.60		
Description	= AL 30	Nominal drive	= 2.1		